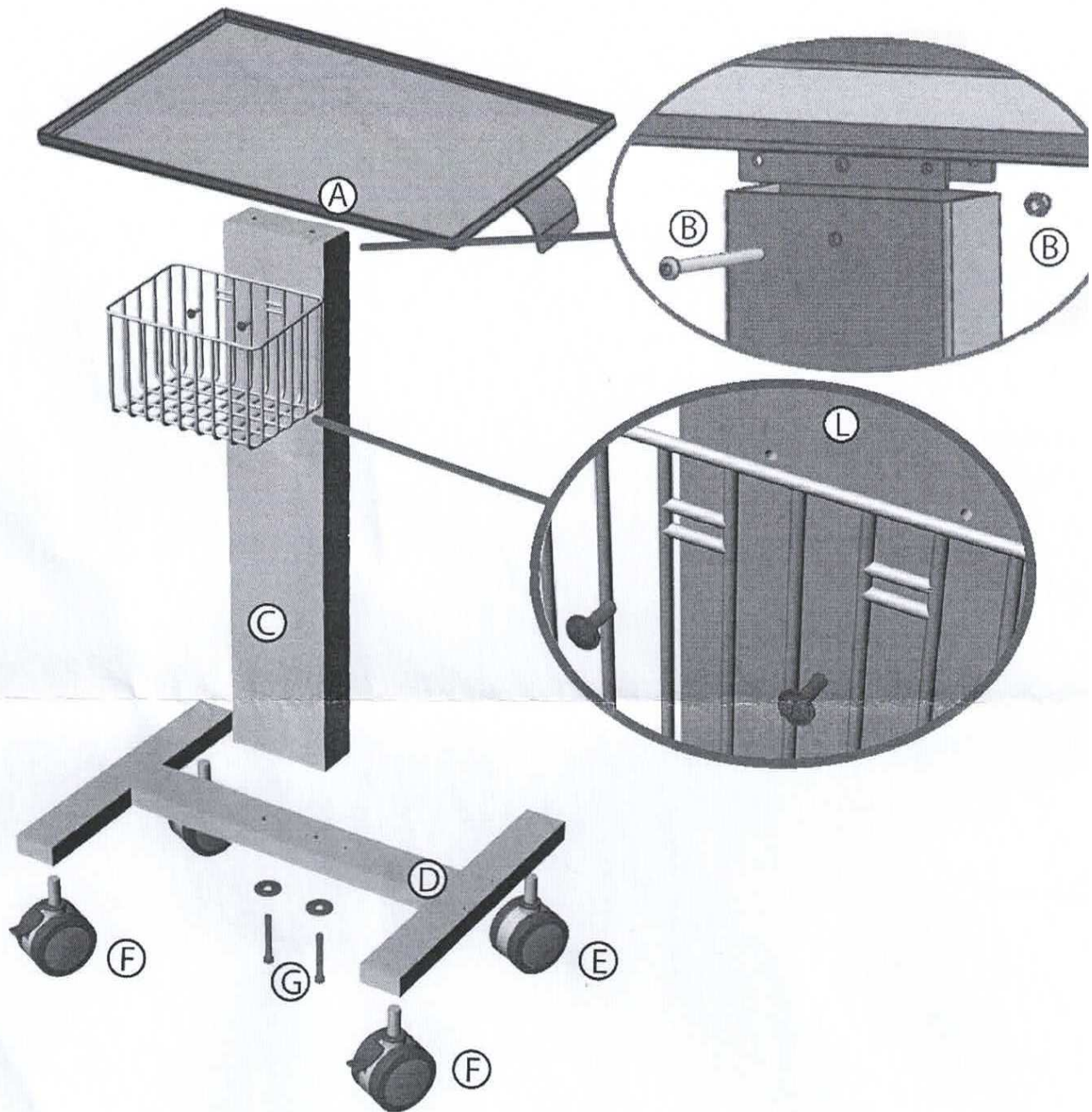


code **02.570.00**

Data Sheet

**STAND ON CASTORS FOR E.C.G.**



**// Standard Supply**

- A) Plate support for E.C.G.
- B) Screw and nut for plate support
- C) Vertical support
- D) Base
- E) 2 x Castors without brake
- F) 2 x Castors with brake
- G) 2 x Screws with washer

**// Accessories**

- L) 080.314.00 - Trolley chest with two screws or 05.00